








Installation Instructions

BestRail™

Vehicle Application:

- Arctic Cat Prowler
2006 – Current
Part Number: 11121

www.Bestop.com - We're here to help! Visit our web site and click on "[Ask a Question](#)". Click here for more [Truck Accessories by Bestop](#).

INSTALLATION TIME	SKILL LEVEL	
 1 Hour	 2 - Moderately Easy	
TOOLS		
 Allen Wrench 1/8" and 5/32"	 Phillips Screwdriver	 Safety Glasses

DO NOT INSTALL THIS PRODUCT ON ANY VEHICLE OTHER THAN THOSE LISTED ABOVE. This product is only designed for the vehicles listed above. Failure to install this product on the proper vehicle could cause injury to the vehicle occupants and damage to the product.



WARNING

This product is designed primarily to enhance the appearance of the vehicle and to shield the occupants from ordinary weather conditions. Do not rely in any way on the components of this product to contain occupants within the vehicle, or to protect against injury or death in the event of an accident. This product will not protect the occupants from falling objects. Never operate the vehicle in excess of manufacturer's specifications.

WEAR SEAT BELTS AT ALL TIMES

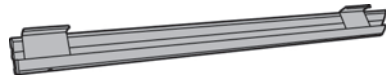
Read and follow, precisely, all installation instructions provided when installing product. Failure to do so may result in a poor fit and could place occupants of the vehicle in a potentially dangerous situation.

BestRail™ Installation Instructions

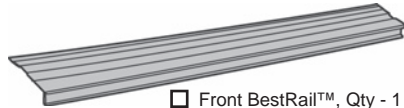
Parts List and Hardware Identification



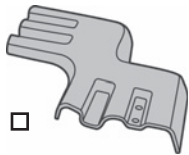
□ Left Side BestRail™, Qty - 1



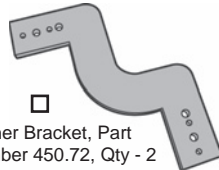
□ Right Side BestRail™, Qty - 1



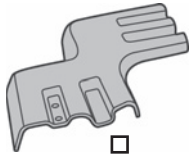
□ Front BestRail™, Qty - 1



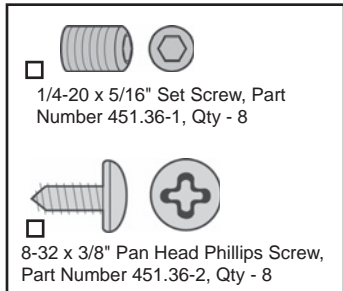
□ Corner Cap - Rt., Part Number 451.56, Qty - 1



□ Corner Bracket, Part Number 450.72, Qty - 2

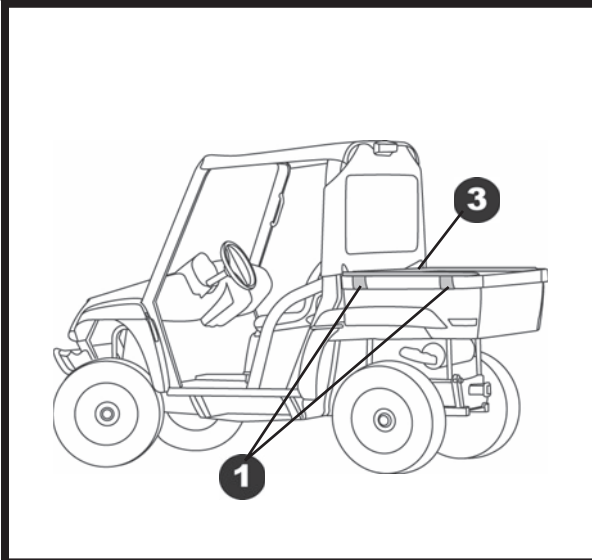


□ Corner Cap - Lt., Part Number 450.74, Qty - 1



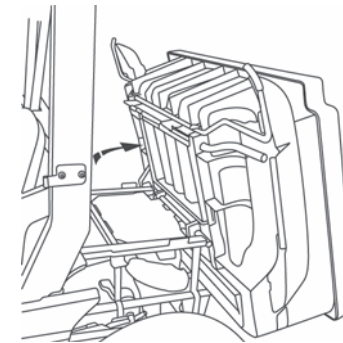
□ 1/4-20 x 5/16" Set Screw, Part Number 451.36-1, Qty - 8

□ 8-32 x 3/8" Pan Head Phillips Screw, Part Number 451.36-2, Qty - 8



2 Open Bed

Open the bed of the vehicle.



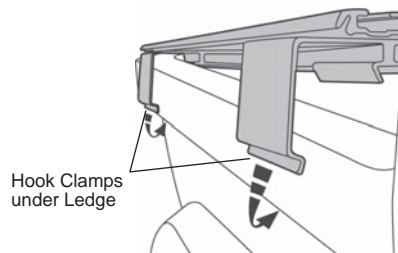
CAUTION

result in injury or damage.

The clamps must be securely installed. Failure to do so may

1 Place Right Side Rail on Vehicle

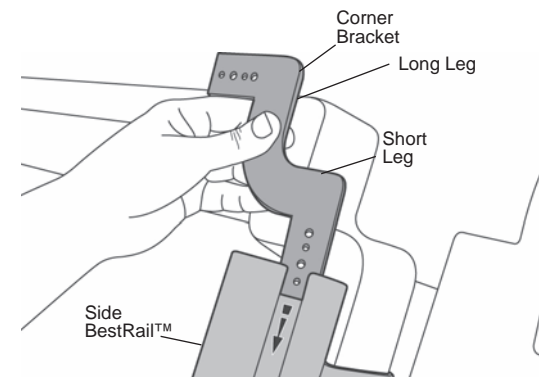
Slide the Right Side BestRail™ onto the vehicle. Slide the rail toward the tailgate as far as possible. Press down on the rail until the clamps are seated under the lip on the outside of the bed.



Hook Clamps under Lip

3 Install Corner Bracket

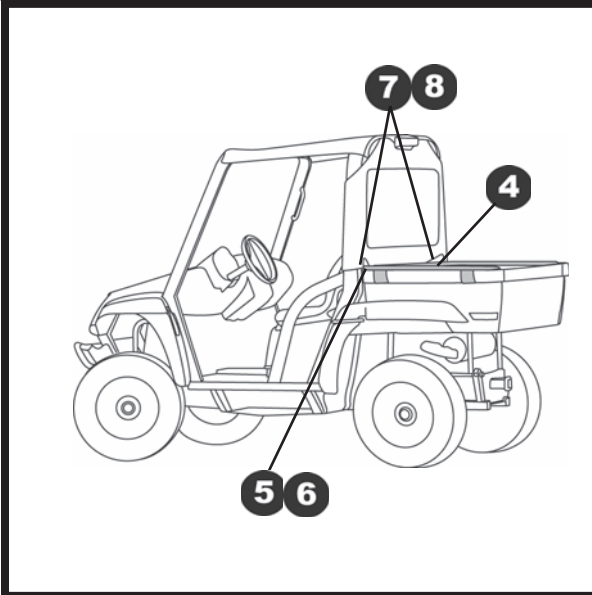
Slide the short leg of a Corner Bracket into the front end of the Right Side BestRail™.



BestRail™ Installation Instructions

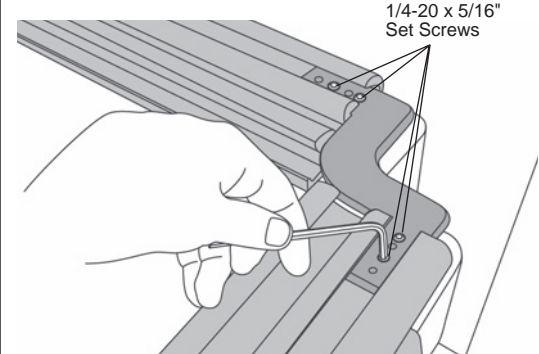
4 Install Front BestRail™

Slide the Front BestRail™ onto the long leg of the Corner Bracket.



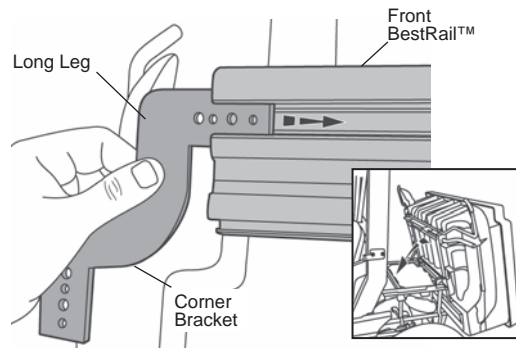
7 Secure Corner Brackets

Push one of the Side Rails and the Front Rail together. Install four (4) 1/4-20 x 5/16" Set Screws in the Corner Bracket. Tighten the Set Screws. Repeat on the other Corner Bracket.



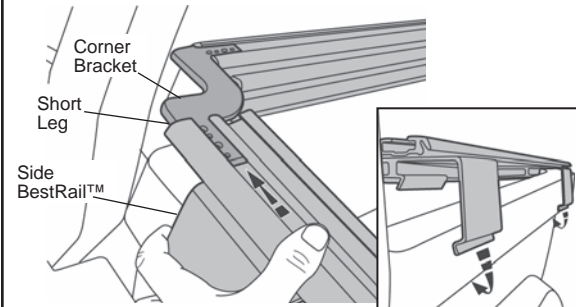
5 Install Left Corner Bracket

Slide the long leg of the remaining Corner Bracket into the passenger end of the Front BestRail™. Close the bed of the vehicle.



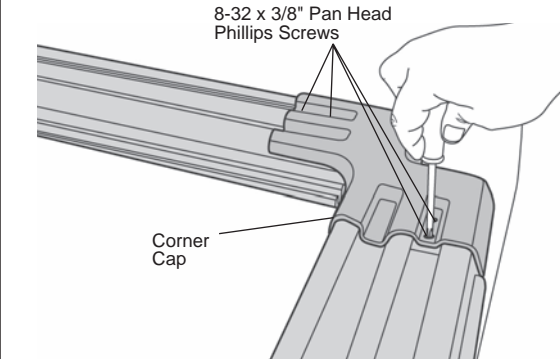
6 Place Left Side Rail on Vehicle

Slide the Left Side BestRail™ onto the short leg of the Corner Bracket. Slide the rail toward the tail-gate as far as possible. Press down on the rail until the clamps are seated under the lip on the outside of the bed.



8 Install Corner Caps

Place the Corner Caps over the Corner Brackets. Install four (4) 8-32 x 3/8" Pan Head Phillips Screws in each Corner Cap.



BestRail™ Installation Instructions

LIMITED WARRANTY

We warrant our product to be free from defects in material and workmanship, for the terms specified below, provided there has been normal use and proper maintenance. This warranty applies to the original purchaser only. All remedies under this warranty are limited to the repair or replacement of any item or items found by the factory to be defective within the time period specified. If you have a warranty claim, first you must call our factory at the number below for instructions. You must retain proof of purchase and submit a copy with any items returned for warranty work. Upon completion of warranty work, if any, we will return the repaired or replaced item or items to you freight prepaid. Damage to our products caused by accidents, fire, vandalism, negligence, misinstallation, misuse, Acts of God, or by defective parts not manufactured by us, is not covered under this warranty.

THE WARRANTY TIME PERIOD IS AS FOLLOWS FOR REPLACE-A-TOP™, SAILCLOTH REPLACE-A-TOP™, SUPERTOP®, SUPERTOP® REPLACEMENT SKINS, SUNRIDER®, AND TIGERTOP®: TWO YEARS FROM DATE OF PURCHASE.

THE WARRANTY TIME PERIOD IS AS FOLLOWS FOR ALL OTHER “SOFT GOODS” MANUFACTURED BY OUR COMPANY (USING PRIMARILY VINYLs, PLASTICS, AND/OR FOAM): ONE YEAR FROM DATE OF PURCHASE.

THE WARRANTY TIME PERIOD IS AS FOLLOWS FOR ALL OTHER “HARD GOODS” MANUFACTURED BY OUR COMPANY (USING PRIMARILY METALS, PLASTICS, AND/OR FIBERGLASS): ONE YEAR FROM DATE OF PURCHASE.

ANY IMPLIED WARRANTIES OF MERCHANTABILITY AND/OR FITNESS FOR A PARTICULAR PURPOSE CREATED HEREBY ARE LIMITED IN DURATION TO THE SAME DURATION AND SCOPE AS THE EXPRESS WRITTEN WARRANTY. OUR COMPANY SHALL NOT BE LIABLE FOR ANY INCIDENTAL OR CONSEQUENTIAL DAMAGE.

Some states do not allow limitations on how long an implied warranty lasts, or the exclusion or limitation of incidental or consequential damages, so the above limitations or exclusions may not apply to you. This warranty gives you specific legal rights, and you may also have other rights which vary from state to state.



For further information or request for warranty work, please contact:

Bestop Inc., Customer Service

Toll-Free: (800)845-3567

Main: (303)465-1755

E-mail: csbestop@Bestop.com

Website: www.Bestop.com