



Installation Instructions




BestRail™ UTV Hard Tonneau

Vehicle Application:

- Kawasaki Mule
BestRail™ 11120
Part Number: 43710
- Arctic Cat Prowler
BestRail™ 11121
Part Number: 43711

- Yamaha Rhino
BestRail™ 11123
Part Number: 43712

www.Bestop.com - We're here to help! Visit our web site and click on "[Ask a Question](#)". Click here for more [Truck Accessories by Bestop](#).

INSTALLATION TIME	SKILL LEVEL		
 1/2 Hour	 1 - Easy		
TOOLS			
 Wrench 11/32"	 Phillips Screwdriver	 Utility Knife	 Safety Glasses

DO NOT INSTALL THIS PRODUCT ON ANY VEHICLE OTHER THAN THOSE LISTED ABOVE. This product is only designed for the vehicles listed above. Failure to install this product on the proper vehicle could cause injury to the vehicle occupants and damage to the product.



WARNING

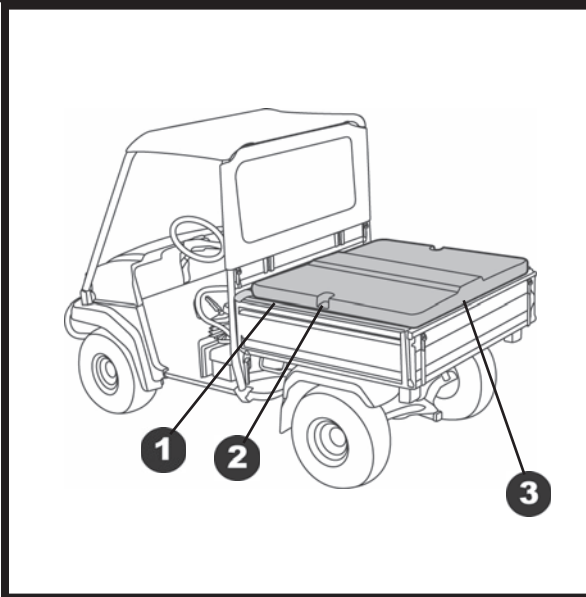
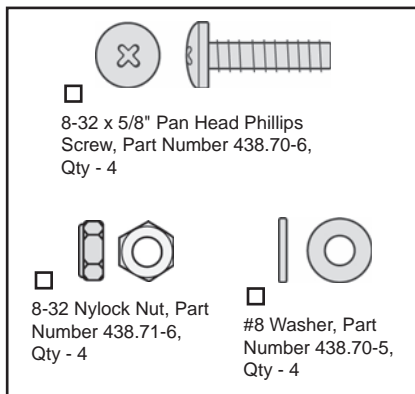
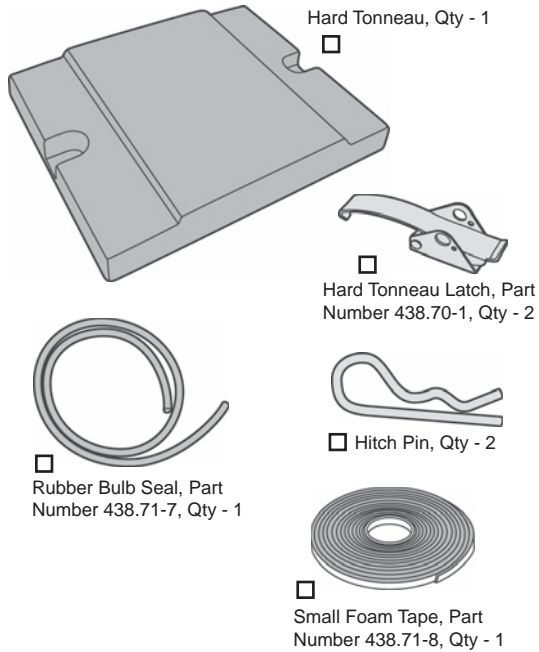
This product is designed primarily to enhance the appearance of the vehicle and to shield the occupants from ordinary weather conditions. Do not rely in any way on the components of this product to contain occupants within the vehicle, or to protect against injury or death in the event of an accident. This product will not protect the occupants from falling objects. Never operate the vehicle in excess of manufacturer's specifications.

WEAR SEAT BELTS AT ALL TIMES

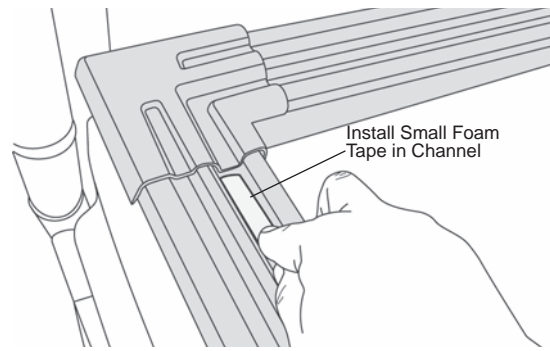
Read and follow, precisely, all installation instructions provided when installing product. Failure to do so may result in a poor fit and could place occupants of the vehicle in a potentially dangerous situation.

BestRail™ UTV Hard Tonneau Installation Instructions

Parts List and Hardware Identification

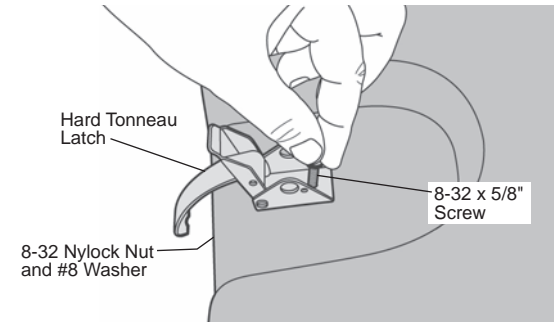


1 Install Small Foam Tape on BestRail™ Rails
 Apply Small Foam Tape to channel of right, left and front BestRails™. Use a utility knife or razor blade to cut off the excess.



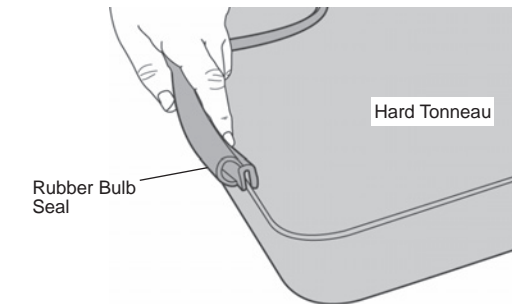
2 Install Hard Tonneau Latches

Mount Hard Tonneau Latches to the Front Panel and Tailgate Panel. Use an 8-32 x 5/8" Screw, 8-32 Nylock Nut and #8 Washer for each latch.



3 Install Rubber Bulb Seal

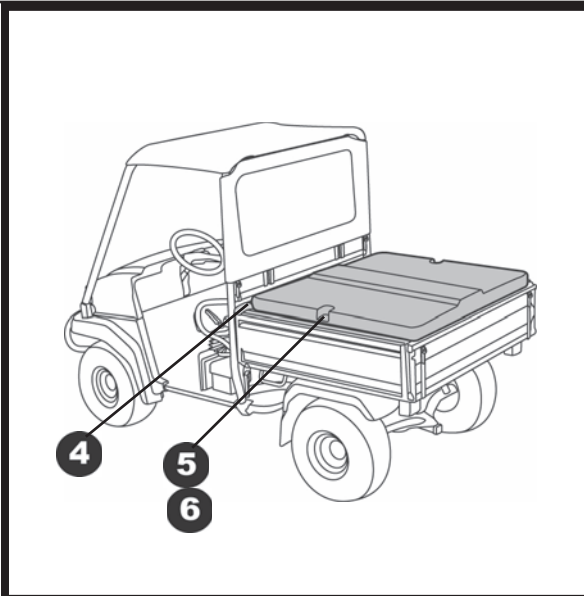
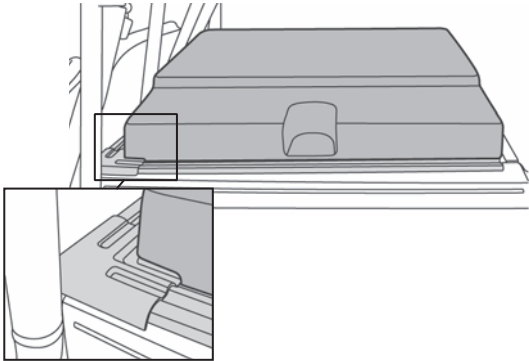
Install Rubber Bulb Seal on the rear edge of the Hard Tonneau.



BestRail™ UTV Hard Tonneau Installation Instructions

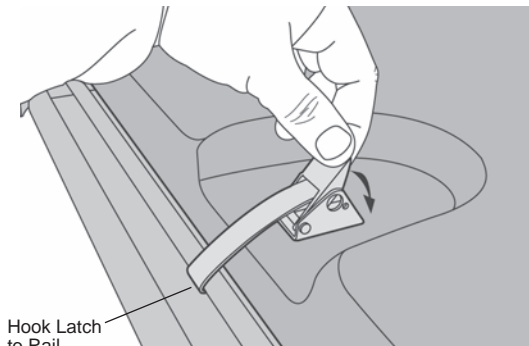
4 Install Hard Tonneau

Place the Hard Tonneau on the BestRail™. Align the front corner with the recess in the BestRail™ Corner Cap.



5 Secure Latches

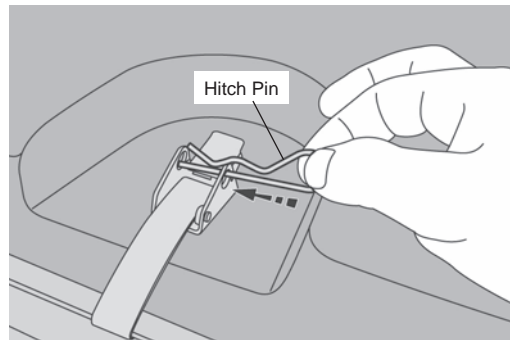
Secure Front and Tailgate Panels to the BestRail™ with the Hard Tonneau Latches.



WARNING Always use Hitch Pins while vehicle is moving.

6 Install Hitch Pins

Secure all Hard Tonneau Latches with Hitch Pins.



BestRail™ UTV Hard Tonneau Installation Instructions

LIMITED WARRANTY

We warrant our product to be free from defects in material and workmanship, for the terms specified below, provided there has been normal use and proper maintenance. This warranty applies to the original purchaser only. All remedies under this warranty are limited to the repair or replacement of any item or items found by the factory to be defective within the time period specified. If you have a warranty claim, first you must call our factory at the number below for instructions. You must retain proof of purchase and submit a copy with any items returned for warranty work. Upon completion of warranty work, if any, we will return the repaired or replaced item or items to you freight prepaid. Damage to our products caused by accidents, fire, vandalism, negligence, misinstallation, misuse, Acts of God, or by defective parts not manufactured by us, is not covered under this warranty.

THE WARRANTY TIME PERIOD IS AS FOLLOWS FOR REPLACE-A-TOP™, SAILCLOTH REPLACE-A-TOP™, SUPERTOP®, SUPERTOP® REPLACEMENT SKINS, SUNRIDER®, AND TIGERTOP®: TWO YEARS FROM DATE OF PURCHASE.

THE WARRANTY TIME PERIOD IS AS FOLLOWS FOR ALL OTHER "SOFT GOODS" MANUFACTURED BY OUR COMPANY (USING PRIMARILY VINYL, PLASTICS, AND/OR FOAM): ONE YEAR FROM DATE OF PURCHASE.

THE WARRANTY TIME PERIOD IS AS FOLLOWS FOR ALL OTHER "HARD GOODS" MANUFACTURED BY OUR COMPANY (USING PRIMARILY METALS, PLASTICS, AND/OR FIBERGLASS): ONE YEAR FROM DATE OF PURCHASE.

ANY IMPLIED WARRANTIES OF MERCHANTABILITY AND/OR FITNESS FOR A PARTICULAR PURPOSE CREATED HEREBY ARE LIMITED IN DURATION TO THE SAME DURATION AND SCOPE AS THE EXPRESS WRITTEN WARRANTY. OUR COMPANY SHALL NOT BE LIABLE FOR ANY INCIDENTAL OR CONSEQUENTIAL DAMAGE.

Some states do not allow limitations on how long an implied warranty lasts, or the exclusion or limitation of incidental or consequential damages, so the above limitations or exclusions may not apply to you. This warranty gives you specific legal rights, and you may also have other rights which vary from state to state.



For further information or request for warranty work, please contact:

Bestop Inc., Customer Service

Toll-Free: (800)845-3567

Main: (303)465-1755

E-mail: csbestop@Bestop.com

Website: www.Bestop.com