





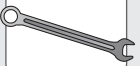




Installation Instructions BestRail™ UTV Hard Tonneau Rack

Vehicle Application:

- **Kawasaki Mule**
Use with 43710
Part Number: 43720
- **Arctic Cat Prowler**
Use with 43711
Part Number: 43721

- **Yamaha Rhino**
Use with 43712
Part Number: 43722

www.Bestop.com - We're here to help! Visit our web site and click on "[Ask a Question](#)". Click here for more [Truck Accessories by Bestop](#).

INSTALLATION TIME	SKILL LEVEL		
 1 Hour	 2 - Moderately Easy		
TOOLS			
 Wrench 7/16"	 Power Drill 5/16" Bit	 Masking Tape	 Pencil
 Safety Glasses			

DO NOT INSTALL THIS PRODUCT ON ANY VEHICLE OTHER THAN THOSE LISTED ABOVE. This product is only designed for the vehicles listed above. Failure to install this product on the proper vehicle could cause injury to the vehicle occupants and damage to the product.

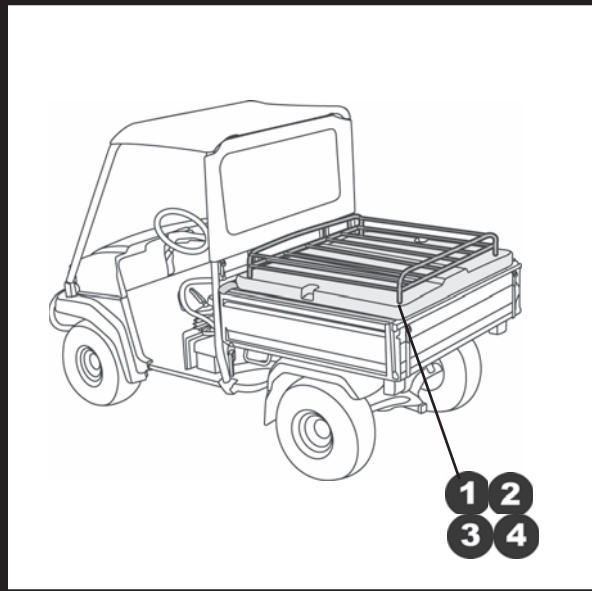
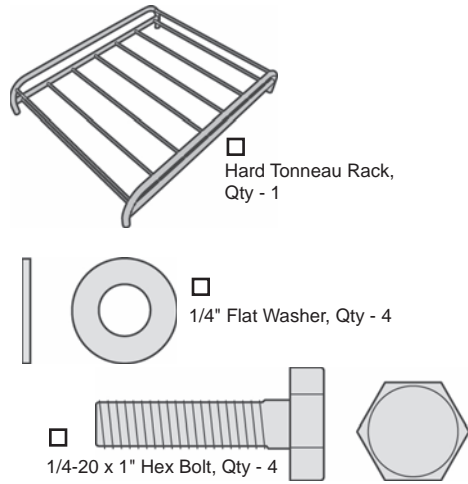
⚠ WARNING This product is designed primarily to enhance the appearance of the vehicle and to shield the occupants from ordinary weather conditions. Do not rely in any way on the components of this product to contain occupants within the vehicle, or to protect against injury or death in the event of an accident. This product will not protect the occupants from falling objects. Never operate the vehicle in excess of manufacturer's specifications.

WEAR SEAT BELTS AT ALL TIMES

Read and follow, precisely, all installation instructions provided when installing product. Failure to do so may result in a poor fit and could place occupants of the vehicle in a potentially dangerous situation.

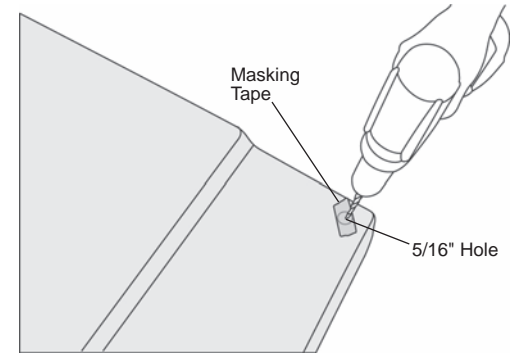
BestRail™ UTV Hard Tonneau Rack Installation Instructions

Parts List and Hardware Identification



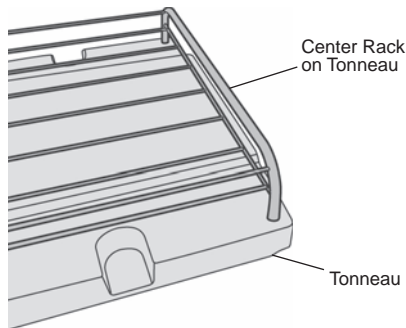
3 Drill 5/16" Hole

Remove the Rack and drill a 5/16" hole in the center of the mark.



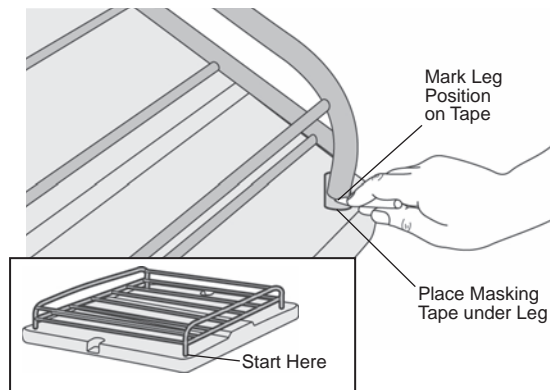
1 Center Rack on Tonneau

Remove the Hard Tonneau from the vehicle. Center the Rack on the Tonneau.



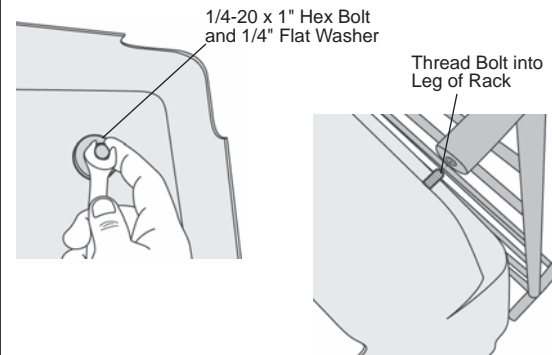
2 Mark Leg Location

Place a piece of masking tape under on leg of the Rack. Mark the location of the leg on the tape.



4 Loosely Mount Rack To Hole

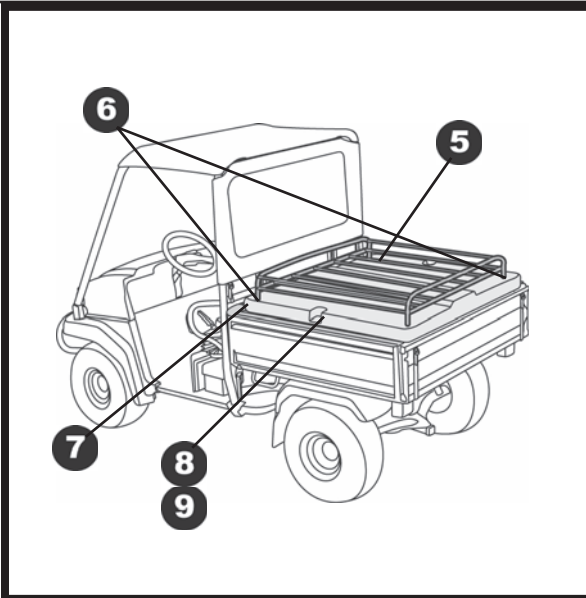
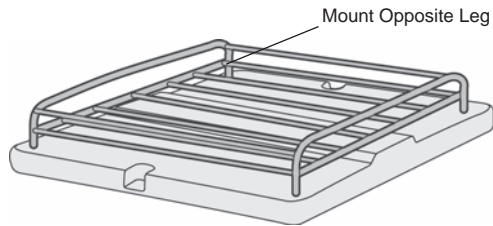
Use a 1/4-20 x 1" Hex Bolt and 1/4" Flat Washer to loosely mount the Rack to the Tonneau. Do not tighten the bolt.



BestRail™ UTV Hard Tonneau Rack Installation Instructions

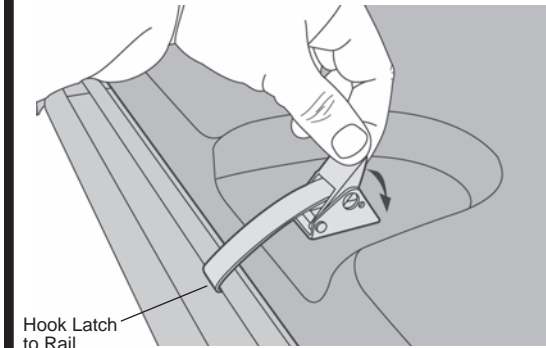
5 Loosely Mount Opposite Leg

Rotate and re-center the Rack. Repeat Steps 2 - 4 to loosely mount the opposite leg. Do not tighten the bolt at this time.



8 Secure Latches

Secure Front and Tailgate Panels to the BestRail™ with the Hard Tonneau Latches.

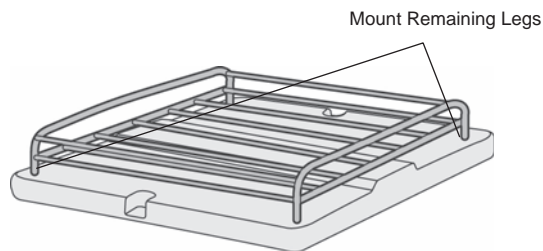


6 Mount Remaining Legs

Repeat Step 2 to mark the location of the remaining legs. Remove the rack to drill the holes.

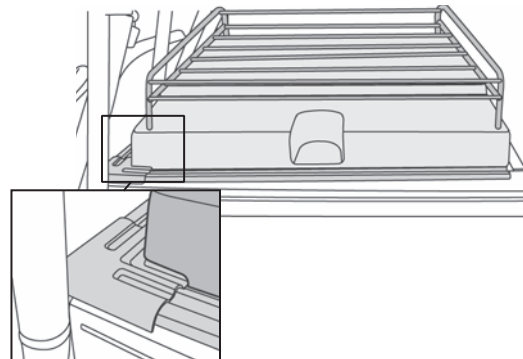
Replace the Rack and install the 1/4-20 x 1" Hex Bolts and 1/4" Flat Washers in all legs as shown in Steps 3 and 4.

Once all bolts are in place, tighten them all securely.



7 Reinstall Hard Tonneau

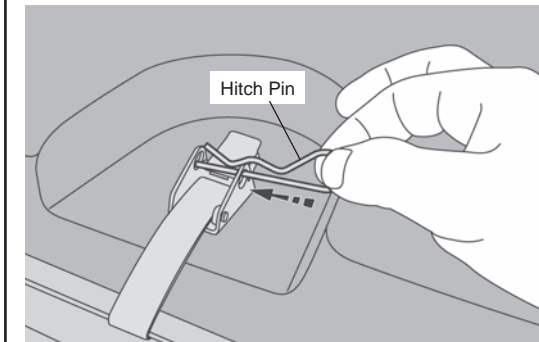
Place the Hard Tonneau on the BestRail™. Align the front corner with the recess in the BestRail™ Corner Cap.



! WARNING Always use Hitch Pins while vehicle is moving.

9 Install Hitch Pins

Secure all Hard Tonneau Latches with Hitch Pins.



BestRail™ UTV Hard Tonneau Rack Installation Instructions

LIMITED WARRANTY

We warrant our product to be free from defects in material and workmanship, for the terms specified below, provided there has been normal use and proper maintenance. This warranty applies to the original purchaser only. All remedies under this warranty are limited to the repair or replacement of any item or items found by the factory to be defective within the time period specified. If you have a warranty claim, first you must call our factory at the number below for instructions. You must retain proof of purchase and submit a copy with any items returned for warranty work. Upon completion of warranty work, if any, we will return the repaired or replaced item or items to you freight prepaid. Damage to our products caused by accidents, fire, vandalism, negligence, misinstallation, misuse, Acts of God, or by defective parts not manufactured by us, is not covered under this warranty.

THE WARRANTY TIME PERIOD IS AS FOLLOWS FOR REPLACE-A-TOP™, SAILCLOTH REPLACE-A-TOP™, SUPERTOP®, SUPERTOP® REPLACEMENT SKINS, SUNRIDER®, AND TIGERTOP®: TWO YEARS FROM DATE OF PURCHASE.

THE WARRANTY TIME PERIOD IS AS FOLLOWS FOR ALL OTHER "SOFT GOODS" MANUFACTURED BY OUR COMPANY (USING PRIMARILY VINYL, PLASTICS, AND/OR FOAM): ONE YEAR FROM DATE OF PURCHASE.

THE WARRANTY TIME PERIOD IS AS FOLLOWS FOR ALL OTHER "HARD GOODS" MANUFACTURED BY OUR COMPANY (USING PRIMARILY METALS, PLASTICS, AND/OR FIBERGLASS): ONE YEAR FROM DATE OF PURCHASE.

ANY IMPLIED WARRANTIES OF MERCHANTABILITY AND/OR FITNESS FOR A PARTICULAR PURPOSE CREATED HEREBY ARE LIMITED IN DURATION TO THE SAME DURATION AND SCOPE AS THE EXPRESS WRITTEN WARRANTY. OUR COMPANY SHALL NOT BE LIABLE FOR ANY INCIDENTAL OR CONSEQUENTIAL DAMAGE.

Some states do not allow limitations on how long an implied warranty lasts, or the exclusion or limitation of incidental or consequential damages, so the above limitations or exclusions may not apply to you. This warranty gives you specific legal rights, and you may also have other rights which vary from state to state.



For further information or request for warranty work, please contact:

Bestop Inc., Customer Service

Toll-Free: (800)845-3567

Main: (303)465-1755

E-mail: csbestop@Bestop.com

Website: www.Bestop.com